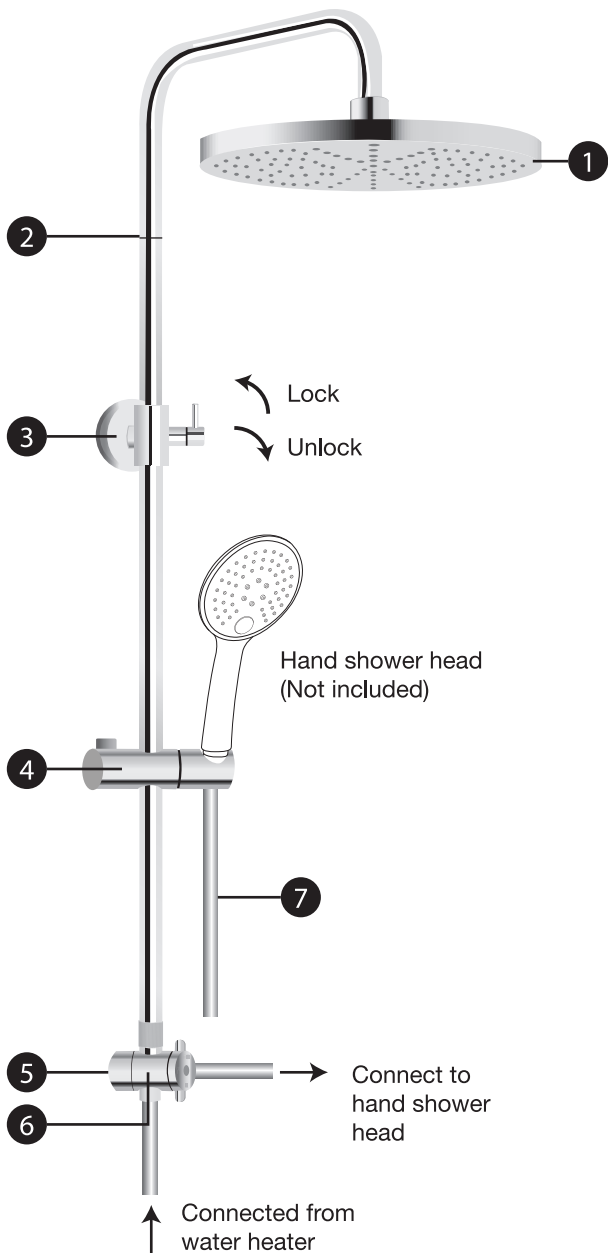
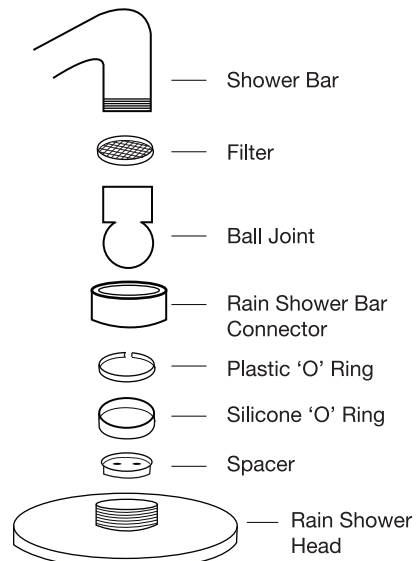


KRS101 Rain Shower Set Assembly

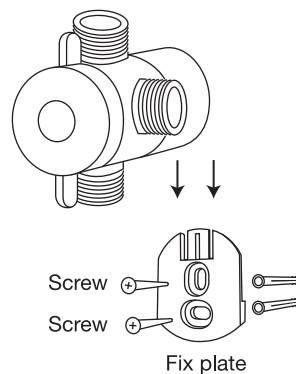


- | | | |
|---|---------------------------------------|---------|
| 1 | Rain Shower Head come with Ball Joint | 1 pcs |
| 2 | Rain Shower Bar | 1 pcs |
| 3 | Rain Shower Bar Holder | 1 pcs |
| 4 | Hand Shower Head Holder | 1 pcs |
| 5 | Wall Mounting Screws | 2 pairs |
| 6 | Diverter | 1 pcs |
| 7 | Shower Hose 8cm | 1 pcs |

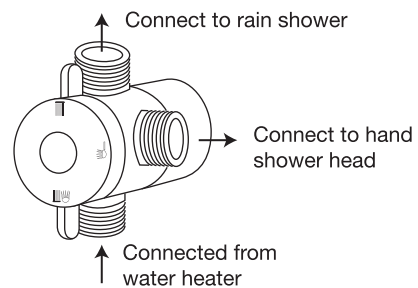
1 Rain Shower Head assembly step:



5 Wall Mounting assembly step:



6 Diverter assembly step:



Shower Options



for rain shower



for normal hand shower



for rain shower and normal hand shower