

KHIND

Delivering Happiness



●●● **Ventilation Fan**
Instruction Manual

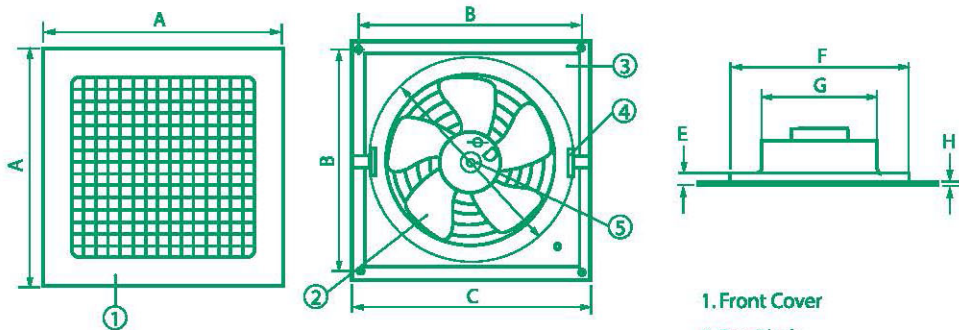
Important

Please read this manual carefully before operating this product.
Keep this manual handy for future reference.



This manual is also available online

PARTS IDENTIFICATION AND DIMENSION



A	B	C	D	E	F	G	H
365	335	355	300	35	310	275	25

Unit = mm

1. Front Cover
2. Fan Blade
3. Body
4. Locking Place
5. Spinner

SPECIFICATION

Voltage	Power	Speed	Air Delivery
220-240V~ 50Hz	29W	1150RPM	353 CFM

Specifications are subject to change without prior notice.

CAUTION AND MAINTENANCE

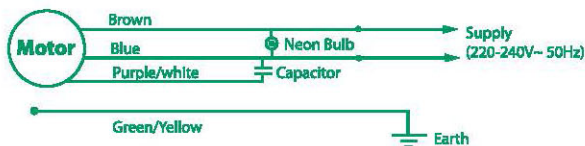
1. Before switching On the fan, please make sure the fan blade does not collide with the front panel after assembly.
2. The fan must be installed more than 2.3 meters above the ground.
3. For safety precaution, please turn off the switch and unplug socket before cleaning the fan blade and body.
4. Please use fan with specified voltage as stated on the rating sticker.
Before you connect the fan, make sure the voltage specified corresponds to the main voltage in your home.
5. Do not use gasoline or any chemical liquid for cleaning to avoid discoloration.
6. Do not use in high temperature and humidity area.

CAUTION AND MAINTENANCE

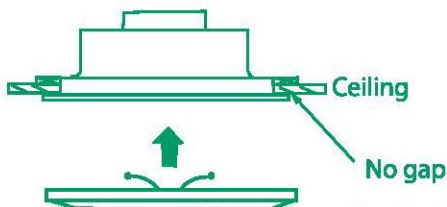
7. Do not install fan above cooking equipment.
8. Always use the fan in a dry place, avoiding excessive damp and heat source.
9. Do not immerse the fan into water or any other liquid.
10. This appliance is not intended for use by persons (including children) with reduced physical, sensory or mental capabilities, or lack of experience and knowledge, unless they have been given supervision or instruction concerning use of the appliance by a person responsible for their safety.
Children should be supervised to ensure that they do not play with the appliance.
11. If the supply cord is damaged, it must be replaced by the manufacturer, its service agent or similarly qualified persons in order to avoid a hazard.

INSTALLATION INSTRUCTION

- (1) Make a wooden frame with the inner diameter slightly bigger than dimension G. Then make a square hole on the ceiling which can fit the wooden frame. Put the wooden frame into it.
- (2) Fix the fan in the wooden frame with screws.
- (3) Connect the power cord to power supply. Below is the diagram for wire connection.



- (4) Assemble the front cover to the fan's body as shown in diagram.



- (5) Make sure there is no gap between ceiling and front cover after installation.
- (6) Plug the fan to 220-240V~ 50Hz power supply and make sure the fan is properly operating, i.e., no abnormal vibration or sound.

Distributed by / *Diedarkan oleh :*

Peninsular Malaysia (Semenanjung Malaysia)

KHIND-MISTRAL (M) SDN. BHD. (442421-A)

No. 2, Jalan Astaka U8/82, Bukit Jelutong, 40150 Shah Alam, Selangor, Malaysia.

www.khind.com.my

East Malaysia (Sabah & Sarawak)

KHIND-MISTRAL (BORNEO) SDN. BHD. (234614-W)

Lot 3-6, Mogoputi Industrial Park, Jln Penampang, KM8
89500 Kota Kinabalu, Sabah, East Malaysia.

www.khind.com.my